

Indian Standard
SPECIFICATION FOR
GLAZED FIRE-CLAY SANITARY APPLIANCES
PART VII SPECIFIC REQUIREMENTS OF SLOP SINKS
(Second Revision)

First Reprint DECEMBER 1996

UDC 696.141.3 : 666.647.016.5

© Copyright 1981

BUREAU OF INDIAN STANDARDS
MANAK BHAVAN, 9 BAHADUR SHAH ZAFAR MARG
NEW DELHI 110002

Indian Standard

SPECIFICATION FOR GLAZED FIRE-CLAY SANITARY APPLIANCES

PART VII SPECIFIC REQUIREMENTS OF SLOP SINKS

(Second Revision)

Sanitary Appliances and Water Fittings Sectional Committee, BDC 3

Chairman

SRI V. D. DESAI

' Sheetal-Darshan ', Flat No. 42, 4th Floor,
375 Lady Jamshedji Road, Mahim
Bombay 400016

Members

Representing

ADVISER

Central Public Health & Environmental Engineering
Organization (Ministry of Works & Housing)

SRI B. B. RAU (*Alternate*)

SRI M. K. BASU

Central Glass & Ceramic Research Institute
(CSIR), Calcutta

SRI K. D. BISWAS

Indian Iron & Steel Co Ltd, Calcutta

SRI D. S. CHABHAL

Directorate General of Technical Development,
New Delhi

SRI T. RAMASUBRAMANIAN (*Alternate*)

SRI S. P. CHAKRABARTY

Central Building Research Institute (CSIR),
Roorkee

SRI S. K. SHARMA (*Alternate*)

CHIEF ENGINEER

Public Health Engineering Department, Govern-
ment of Kerala, Trivandrum

SRI K. RAMACHANDRAN (*Alternate*)

CHIEF ENGINEER

Tamil Nadu Water Supply & Drainage Board,
Madras

CHIEF ENGINEER

U. P. Jal Nigam, Lucknow

SUPERINTENDING ENGINEER (*Alternate*)

CHIEF ENGINEER (WATER)

Municipal Corporation of Delhi, Delhi

DRAINAGE ENGINEER (*Alternate*)

SRI L. M. CHOUDHARY

Public Health Engineering Department, Government
of Haryana, Chandigarh

SRI I. CHANDRA (*Alternate*)

(*Continued on page 2*)

© Copyright 1981

BUREAU OF INDIAN STANDARDS

This publication is protected under the *Indian Copyright Act* (XIV of 1957) and reproduction in whole or in part by any means except with written permission of the publisher shall be deemed to be an infringement of copyright under the said Act.

IS : 771 (Part VII) - 1981

(Continued from page 1)

<i>Members</i>	<i>Representing</i>
CITY ENGINEER	Bombay Municipal Corporation, Bombay
HYDRAULIC ENGINEER (<i>Alternate</i>)	
SHRI H. N. DALLAS	Indian Institute of Architects, Bombay
DIRECTOR	Bombay Potteries & Tiles Ltd, Bombay
SHRI A. M. KEMHAVI (<i>Alternate</i>)	
SHRI B. R. N. GUPTA	Engineer-in-Chief's Branch, Army Headquarters
SHRI K. V. KRISHNAMURTHY (<i>Alternate</i>)	
SHRI S. R. KSHIRSAGAR	National Environmental Engineering Research Institute (CSIR), Nagpur
SHRI R. C. REDDY (<i>Alternate</i>)	
SHRI K. LAKSHMINARAYANAN	Hindustan Shipyard Ltd, Vishakhapatnam
SHRI A. SHARIFF (<i>Alternate</i>)	
SHRI E. K. RAMACHANDRAN	National Test House, Calcutta
SHRI S. K. BANERJEE (<i>Alternate</i>)	
SHRI RANJIT SINGH	Railway Board (Ministry of Railways)
DR A. V. R. RAO	National Buildings Organization, New Delhi
SHRI J. SENGUPTA (<i>Alternate</i>)	
SHRI P. JAGANATH RAO	E. I. D. - Parry Ltd, Madras
SHRI M. MOOSA SULAIMAN (<i>Alternate</i>)	
SHRI R. K. SOMANY	Hindustan Sanitaryware & Industries Ltd, Bahadurgarh
SURVEYOR OF WORKS (NDZ)	Central Public Works Department, New Delhi
SURVEYOR OF WORKS I (NDZ) (<i>Alternate</i>)	
SHRI T. N. UBOVEJA	Directorate General of Supplies & Disposals, New Delhi
SHRI G. RAMAN, Director (Civ Engg)	Director General, ISI (<i>Ex-officio Member</i>)

Secretaries

SHRI K. K. SHARMA
Deputy Director (Civ Engg), ISI
SHRI S. P. MAGGU
Assistant Director (Civ Engg), ISI

Domestic Sanitary Appliances and Accessories Subcommittee BDC 3 : 1

Convener

SHRI G. F. KHAMBATI	Bombay Municipal Corporation, Bombay
---------------------	--------------------------------------

Members

SHRI M. C. AGRAWAL	Indian Plastics Ltd, Bombay
SHRI N. L. BIRLA (<i>Alternate</i>)	
SHRI V. ANANTHANARAYANAN	East India Ceramics, Vellore
ASSISTANT DIRECTOR, STANDARDS (ARCHITECTURE) (RDSO)	Ministry of Railways
SHRI M. K. BASU	Central Glass & Ceramic Research Institute (CSIR), Calcutta
SHRI S. P. CHAKRABARTY	Central Building Research Institute (CSIR), Roorkee

(Continued on page 8)

Indian Standard

SPECIFICATION FOR GLAZED FIRE-CLAY SANITARY APPLIANCES PART VII SPECIFIC REQUIREMENTS OF SLOP SINKS (*Second Revision*)

0. FOREWORD

0.1 This Indian Standard (Part VII) (Second Revision) was adopted by the Indian Standards Institution on 30 January 1981, after the draft finalized by the Sanitary Appliances and Water Fittings Sectional Committee had been approved by the Civil Engineering Division Council.

0.2 This standard was first issued in 1953 and was revised in 1963 to cover requirements for additional glazed earthenware sanitary appliances such as Orissa pan, laboratory sinks, squatting plate, slab and stall urinals and half round channels. In this revision the scope of the standard has been restricted to cover requirements for glazed fire-clay sanitary appliances only since the glazed earthenware sanitary appliances are outdated as well as unhygienic. The Sectional Committee has found that only some of the sanitary appliances were being made in glazed fire-clay and, therefore, decided to cover the requirements for these appliances only in this revision. The general requirements applicable to all appliances and specific requirements for different types of appliances have been covered in separate parts of the standard.

0.3 For the purpose of deciding whether a particular requirement of this standard is complied with, the final value, observed or calculated, expressing the result of a test or analysis, shall be rounded off in accordance with IS : 2-1960*. The number of significant places retained in the rounded off value should be the same as that of the specified value in this standard.

1. SCOPE

1.1 This standard (Part VII) lays down the pattern, and sizes, construction, dimensions and tolerances of slop sinks made of fire-clay.

*Rules for rounding off numerical values (*revised*).

2. REQUIREMENTS

2.1 General — The general requirements of material of manufacture, method of test, sampling and inspection shall conform to IS : 771 (Part I)-1979*

2.2 Pattern and Size

2.2.1 Slop sinks may be either wall mounted or floor mounted. The wall mounted slop sink shall be of size 610 × 530 mm (see Fig. 1). The floor mounted slop sink shall be of size 430 × 460 mm (see Fig. 2).

2.3 Construction

2.3.1 The slop sink shall be of one piece construction and shall have a suitable flushing rim which may be boxed or open type. In the case of box rim, adequate number of holes on all sides shall be provided for clean flushing of the bowl of the sink. The rim shall have an inlet or supply horn of dimensions conforming to those given in Fig. 1 or Fig. 2 for connecting the flush pipe.

2.3.2 The wall mounted slop sink shall have an integral trap with outlet conforming to Fig. 1. The floor mounted slop sink shall have an integral trap with P or S outlet conforming to Fig. 2.

2.3.3 The inside surface of the slop sink and trap shall be uniform and smooth in order to ensure efficient flush. The serrated part of the outlet shall not be glazed externally.

2.3.4 Two stud slots shall be provided on the underside of the wall mounted slop sink conforming to the requirements given in Fig. 1.

2.3.5 Two holes for fixing chromium plated galvanized bucket grating shall be provided on the top of the flushing rim conforming to the requirements given in Figs. 1 and 2.

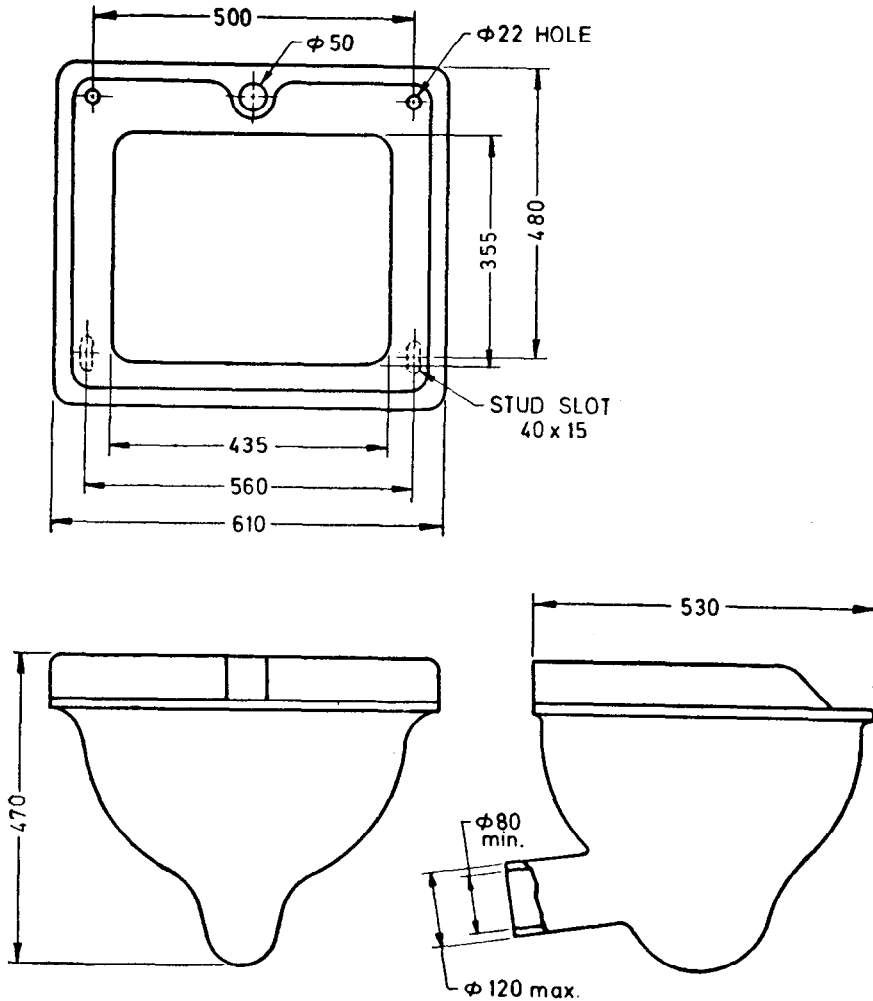
2.4 Dimensions and Tolerances

2.4.1 Dimensions — The slop sink shall have dimensions conforming to those given in Figs. 1 and 2.

2.4.2 Tolerances — The following tolerances shall be permissible on the dimensions specified for slop sinks:

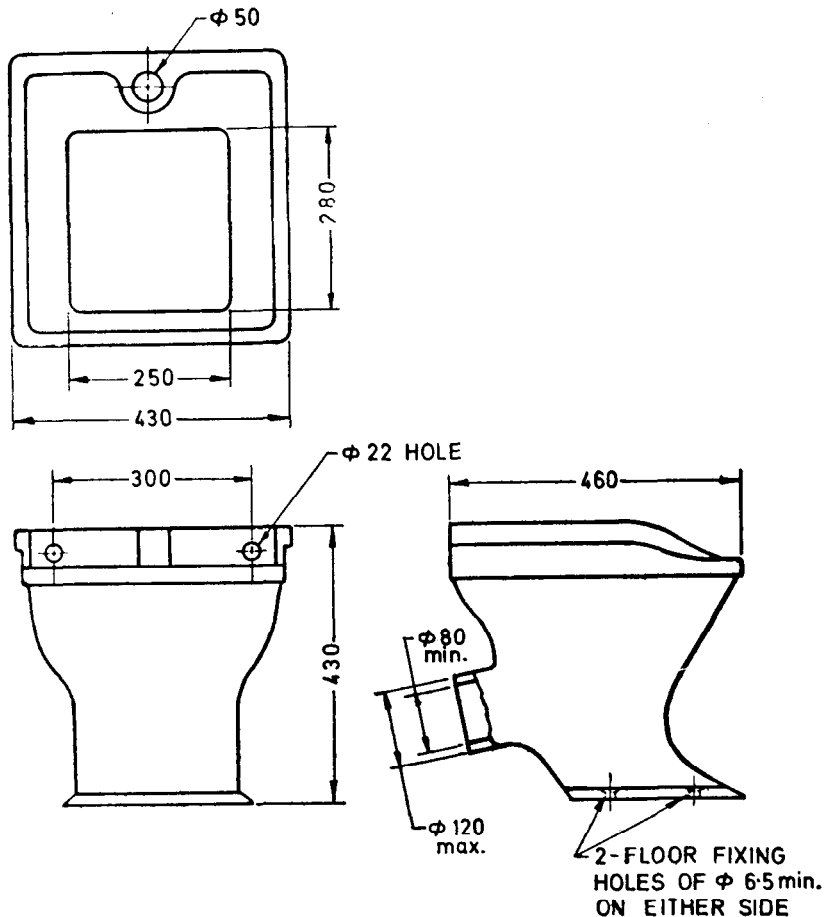
- a) On dimensions of 50 mm and over $\pm 4\%$, and
- b) On dimensions less than 50 mm ± 2 mm.

*Specification for glazed fire-clay sanitary appliances: Part I General requirements.



All dimensions in millimetres.

FIG. 1 SLOP SINK (WALL MOUNTED TYPE)



All dimensions in millimetres.

FIG. 2 SLOP SINK (FLOOR MOUNTED TYPE)

3. MARKING

3.1 The slop sinks shall be clearly and indelibly marked at a prominent place, visible after the sinks are installed, with the name or trade-mark of the manufacturer.

3.2 BIS Certification Marking

The product may also be marked with Standard Mark.

.1.2 The use of the Standard Mark is governed by the provisions of the Bureau of Indian Standards Act, 1986 and the Rules and Regulations made thereunder. The details of conditions under which the licence for the use of Standard Mark may be granted to manufacturers or producers may be obtained from the Bureau of Indian Standards.

processors, may be obtained from the Indian Standards Institution.

BUREAU OF INDIAN STANDARDS

Headquarters:

Manak Bhavan, 9 Bahadur Shah Zafar Marg, NEW DELHI 110002

Telephones: 323 0131, 323 3375, 323 9402

Fax : 91 11 3234062, 91 11 3239399, 91 11 3239382

Telegrams : Manaksanstha

(Common to all Offices)

Telephone

Central Laboratory :

Plot No. 20/9, Site IV, Sahibabad Industrial Area, Sahibabad 201010

8-77 00 32

Regional Offices:

Central : Manak Bhavan, 9 Bahadur Shah Zafar Marg, NEW DELHI 110002 323 76 17

*Eastern : 1/14 CIT Scheme VII M, V.I.P. Road, Manikola, CALCUTTA 700054 337 86 62

Northern : SCO 335-336, Sector 34-A, CHANDIGARH 160022 60 38 43

Southern : C.I.T. Campus, IV Cross Road, CHENNAI 600113 235 23 15

†Western : Manakalaya, E9, Behind Marol Telephone Exchange, Andheri (East), MUMBAI 400093 832 92 95

Branch Offices::

'Pushpak', Nurmohamed Shaikh Marg, Khanpur, AHMEDABAD 380001 550 13 48

‡Peenya Industrial Area, 1st Stage, Bangalore-Tumkur Road, BANGALORE 560058 839 49 55

Gangotri Complex, 5th Floor, Bhadbhada Road, T.T. Nagar, BHOPAL 462003 55 40 21

Plot No. 62-63, Unit VI, Ganga Nagar, BHUBANESHWAR 751001 40 36 27

Kalaikathir Buildings, 670 Avinashi Road, COIMBATORE 641037 21 01 41

Plot No. 43, Sector 16 A, Mathura Road, FARIDABAD 121001 8-28 88 01

Savitri Complex, 116 G.T. Road, GHAZIABAD 201001 8-71 19 96

53/5 Ward No.29, R.G. Barua Road, 5th By-lane, GUWAHATI 781003 54 11 37

5-8-56C, L.N. Gupta Marg, Nampally Station Road, HYDERABAD 500001 20 10 83

E-52, Chitaranjan Marg, C-Scheme, JAIPUR 302001 37 29 25

117/418 B, Sarvodaya Nagar, KANPUR 208005 21 68 76

Seth Bhawan, 2nd Floor, Behind Leela Cinema, Naval Kishore Road, LUCKNOW 226001 23 89 23

NIT BUilding, Second Floor, Gokulpat Market, NAGPUR 440010 52 51 71

Patliputra Industrial Estate, PATNA 800013 26 23 05

Institution of Engineers (India) Building 1332 Shivaji Nagar, PUNE 411005 32 36 35

T.C. No. 14/1421, University P. O. Palayam, THIRUVANANTHAPURAM 695034 6 21 17

*Sales Office is at 5 Chowringhee Approach, P.O. Princep Street, CALCUTTA 700072 27 10 85

‡Sales Office is at Novelty Chambers, Grant Road, MUMBAI 400007 309 65 28

†Sales Office is at 'F' Block, Unity Building, Narashimaraja Square, BANGALORE 560002 222 39 71