

IS : 771 (Part IV) - 1979

(Reaffirmed 1987)

Indian Standard

SPECIFICATION FOR
GLAZED FIRE-CLAY SANITARY APPLIANCES

PART IV SPECIFIC REQUIREMENTS
OF POST-MORTEM SLABS

(*Second Revision*)

First Reprint MARCH 1989

UDC 691.434.7-412:616-091.5

© Copyright 1980

BUREAU OF INDIAN STANDARDS
MANAK BHAVAN, 9 BAHADUR SHAH ZAFAR MARG
NEW DELHI 110002

Indian Standard
SPECIFICATION FOR
GLAZED FIRE-CLAY SANITARY APPLIANCES
PART IV SPECIFIC REQUIREMENTS
OF POST-MORTEM SLABS
(Second Revision)

Sanitary Appliances and Water Fittings Sectional Committee, BDC 3

Chairman

SHRI V. D. DESAI

Representing

Bombay Municipal Corporation

Members

ADVISER

Central Public Health & Environmental Engineering
 Organization (Ministry of Works & Housing)

SHRI B. B. RAU (*Alternate*)

SHRI H. R. BADYAL

Indian Iron & Steel Co Ltd, Calcutta

SHRI K. D. BISWAS (*Alternate*)

SHRI M. K. BASU

Central Glass & Ceramic Research Institute
 (CSIR), Ahmadabad

SHRI D. S. CHABHAL

Directorate General of Technical Development,
 New Delhi

SHRI T. RAMASUBRAMANIAN (*Alternate*)

SHRI S. P. CHAKRABARTI

Central Building Research Institute (CSIR),
 Roorkee

SHRI S. K. SHARMA (*Alternate*)

CHIEF ENGINEER

Public Health Engineering Department, Government
 of Kerala, Trivandrum

SHRI K. RAMACHANDRAN (*Alternate*)

CHIEF ENGINEER

Tamil Nadu Water Supply & Drainage Board,
 Madras

CHIEF ENGINEER

U. P. Jal Nigam, Lucknow

SUPERINTENDING ENGINEER

(*Alternate*)

CHIEF ENGINEER (WATER)

Municipal Corporation of Delhi, Delhi

DRAINAGE ENGINEER (*Alternate*)

SHRI L. M. CHOUDHARY

Public Health Engineering Department, Government
 of Haryana, Chandigarh

SHRI I. CHANDRA (*Alternate*)

(*Continued on page 2*)

© Copyright 1980

BUREAU OF INDIAN STANDARDS

This publication is protected under the *Indian Copyright Act* (XIV of 1957) and reproduction in whole or in part by any means except with written permission of the publisher shall be deemed to be an infringement of copyright under the said Act.

IS : 771 (Part IV) - 1979

(Continued from page 1)

<i>Members</i>	<i>Representing</i>
CITY ENGINEER	Bombay Municipal Corporation
HYDRAULIC ENGINEER (<i>Alternate</i>)	
SHRI H. N. DALLAS	Indian Institute of Architects, Bombay
LALA G. C. DAS	National Test House, Calcutta
SHRI T. R. DE	Institution of Engineers (India), Calcutta
DIRECTOR	Bombay Potteries & Tiles Ltd, Bombay
SHRI A. M. KEMHAVI (<i>Alternate</i>)	
SHRI B. R. N. GUPTA	Engineer-in-Chief's Branch (Army Headquarters)
SHRI K. V. KRISHNAMURTHY (<i>Alternate</i>)	
SHRI M. T. KANSE	Directorate General of Supplies & Disposals, New Delhi
SHRI S. R. KSHIRSAGAR	National Environmental Engineering Research Institute (CSIR), Nagpur
SHRI R. C. REDDY (<i>Alternate</i>)	
SHRI K. LAKSHMINARAYANAN	Hindustan Shipyard Ltd, Vishakhapatnam
SHRI A. SHARIFF (<i>Alternate</i>)	
SHRI P. S. RAJVANSHI	Public Health Engineering Department, Govern- ment of Rajasthan, Jaipur
SHRI RANJIT SINGH	Railway Board (Ministry of Railways)
DR A. V. R. RAO	National Buildings Organization, New Delhi
SHRI P. JAGANATH RAO	E.I.D.-Parry Ltd, Madras
SHRI M. MOOSA SULAIMAN (<i>Alternate</i>)	
SHRI R. K. SOMANY	Hindustan Sanitaryware & Industries Ltd, Bahadurgarh
SUPERINTENDING SURVEYOR OF WORKS (NDZ)	Central Public Works Department, New Delhi
SURVEYOR OF WORKS I (NDZ) (<i>Alternate</i>)	
SHRI D. AJITHA SIMHA, Director (Civ Engg)	Director General, ISI (<i>Ex-officio Member</i>)

Secretary

SHRI S. P. MAGGU
Assistant Director (Civ Engg), ISI

Domestic Sanitary Appliances and Accessories Subcommittee, BDC 3:1

Convener

SHRI G. F. KHAMBATTI Bombay Municipal Corporation

Members

SHRI M. C. AGRAWAL Indian Plastics Ltd, Bombay
SHRI N. L. BIRLA (*Alternate*)
ASSISTANT DIRECTOR, STANDARDS Ministry of Railways
(ARCHITECTURE) (RDSO)

(Continued on page 6)

Indian Standard
SPECIFICATION FOR
GLAZED FIRE-CLAY SANITARY APPLIANCES

PART IV SPECIFIC REQUIREMENTS
OF POST-MORTEM SLABS

(*Second Revision*)

0. FOREWORD

0.1 This Indian Standard (Part IV) (Second Revision) was adopted by the Indian Standards Institution on 4 May 1979, after the draft finalized by the Sanitary Appliances and Water Fittings Sectional Committee had been approved by the Civil Engineering Division Council.

0.2 This standard was first issued in 1958 and was revised in 1963 to cover requirements for additional glazed earthenware sanitary appliances, such as Orissa pan, laboratory sink, squatting plate, slab and stall urinal and half-round channel. In this revision the scope of the standard has been restricted to cover requirements for glazed fire-clay sanitary appliances only, since the glazed earthenware sanitary appliances were outdated as well as unhygienic. The Sectional Committee has found that only some of the sanitary appliances were being made in glazed fire-clay and, therefore, decided to cover the requirements for these appliances only in this revision. The general requirements for different types of appliances have been covered in separate parts of the standard. This standard (Part IV) lays down the specific requirements of post-mortem slabs.

0.3 For the purpose of deciding whether a particular requirement of this standard is complied with, the final value, observed or calculated, expressing the result of a test or analysis, shall be rounded off in accordance with IS:2-1960*. The number of significant places retained in the rounded off value should be the same as that of the specified value in this standard.

1. SCOPE

1.1 This standard (Part IV) lays down the pattern, size construction, dimensions, tolerances and finish of post-mortem slabs made of fire-clay.

*Rules for rounding off numerical values (*revised*).

2. REQUIREMENTS

2.1 General — The general requirements for material, manufacture, methods of test, sampling and inspection shall conform to IS:771 (Part I)-1979*.

2.2 Pattern and Size — The post-mortem slabs shall be of the pattern as shown in Fig. 1 and shall be 2 100 × 790 mm in size.

2.2.1 The post-mortem slabs may be made in other patterns and sizes where so agreed to between the manufacturer and the purchaser. However, tolerances on dimensions shall be as allowed in this standard.

2.3 Construction — Post-mortem slabs shall be with or without pedestals and when provided with pedestals this shall be of 3-piece construction. The inside surface of the post-mortem slabs shall be uniform and smooth except for serrations provided for the drainage of the dissection fluid. The floor of the post-mortem slabs shall have a circular waste hole into which the interior of the slabs shall drain. The waste hole shall be rebated internally.

2.4 Dimensions and Tolerances

2.4.1 Dimensions — The dimensions of the post-mortem slabs shall be as given in Fig. 1.

2.4.2 Tolerances — The following tolerances shall be allowed on the dimensions specified in 2.4.1:

- a) On dimensions of 50 mm and over ± 4 percent
- b) On dimensions less than 50 mm ± 2 mm

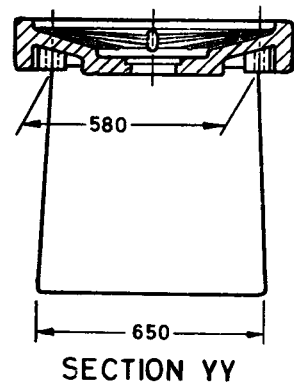
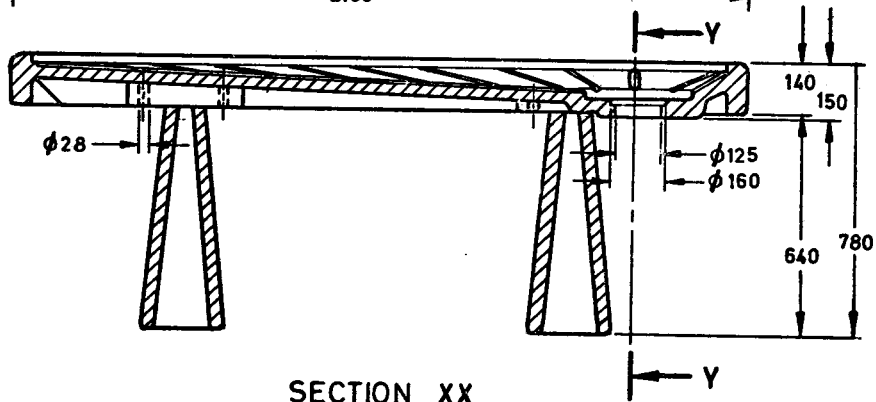
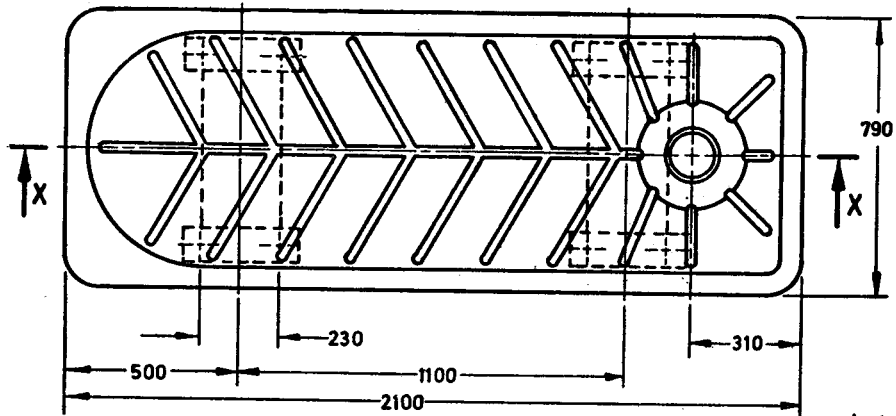
3. MARKING

3.1 Each post-mortem slab shall be clearly and indelibly marked at a prominent place with the name or trade-mark of the manufacturer.

3.1.1 Each post-mortem slab conforming to the requirements specified in this standard may also be marked with the ISI Certification Mark.

NOTE — The use of the ISI Certification Mark is governed by the provisions of the Indian Standards Institution (Certification Marks) Act and the Rules and Regulations made thereunder. The ISI Mark on products covered by an Indian Standard conveys the assurance that they have been produced to comply with the requirements of that standard under a well-defined system of inspection, testing and quality control which is devised and supervised by ISI and operated by the producer. ISI marked products are also continuously checked by ISI for conformity to that standard as a further safeguard. Details of conditions under which a licence for the use of the ISI Certification Mark may be granted to manufacturers or processors, may be obtained from the Indian Standards Institution.

*Specification for glazed fire-clay sanitary appliances: Part I General requirements (second revision).



SECTION XX

SECTION YY

All dimensions in millimetres.
 FIG. 1 POST-MORTEM SLAB

IS : 771 (Part IV) - 1979

(Continued from page 2)

<i>Members</i>	<i>Representing</i>
SHRI M. K. BASU	Central Glass & Ceramic Research Institute (CSIR), Ahmadabad
SHRI G. T. BHIDE	National Buildings Organization, New Delhi
SHRI O. P. RATRA (<i>Alternate</i>)	
SHRI S. P. CHAKRABARTY	Central Building Research Institute (CSIR), Roorkee
CHIEF ENGINEER	Tamil Nadu Water Supply & Drainage Board, Madras
CHIEF ENGINEER (WATER)	Municipal Corporation of Delhi, Delhi
ADDITIONAL CHIEF ENGINEER (WATER) (<i>Alternate</i>)	
CITY ENGINEER	Bombay Municipal Corporation
DIRECTOR	Bombay Potteries & Tiles Ltd, Bombay
SHRI A. M. KEMBHAVI (<i>Alternate</i>)	
SHRI M. K. GANPULE	Parshuram Pottery Works Co Ltd, Thangadh
SHRI R. M. JOSHI (<i>Alternate</i>)	
SHRI B. R. N. GUPTA	Ministry of Defence
SHRI K. V. KRISHNAMURTHY (<i>Alternate</i>)	
SHRI M. T. KANSE	Directorate General of Supplies & Disposals, New Delhi
SHRI B. K. MALHAN	In personal capacity (9 Jain Mandir Road, New Delhi)
SHRI B. S. MIRCHANDANI	Phenoweld Polymer Private Limited, Bombay
SHRI A. S. MIRCHANDANI (<i>Alternate</i>)	
SHRI D. APPUKUTTAN NAIR	Public Health Engineering Department, Government of Kerala, Trivandrum
SHRI K. RAMACHANDRAN (<i>Alternate</i>)	
SHRI B. J. PENTONY	Neiveli Ceramics & Refractories Limited, Vadalur
SHRI UMATOSH SARKAR (<i>Alternate</i>)	
SHRI P. JAGANATH RAO	E.I.D.-Party Ltd, Madras
SHRI M. MOOSA SULAIMAN (<i>Alternate</i>)	
SHRI L. R. SEHGAL	L. R. Sehgal & Company, New Delhi
SHRI AMAL KUMAR SEN	Bengal Enamel Works Ltd, Calcutta
SHRI R. K. SOMANY	Hindustan Sanitaryware & Industries Ltd, Bahadurgarh
SURVEYOR OF WORKS (NDZ)	Central Public Works Department, New Delhi
SHRI S. A. TUNGARE	Indian Institute of Architects, Bombay

BUREAU OF INDIAN STANDARDS

Headquarters :

Manak Bhavan, 9 Bahadur Shah Zafar Marg, NEW DELHI 110002

Telephones : 3 31 01 31, 3 31 13 75 Telegrams : Manaksanstha
(Common to all Offices)

Regional Offices : Telephone

*Western ; Manakalaya, E9 MIDC, Marol, Andheri (East), 6 32 92 95
BOMBAY 400093

†Eastern : 1/14 C. I. T. Scheme VII M, V. I. P. Road, 36 24 99
Maniktola, CALCUTTA 700054

Northern : SCO 445-446, Sector 35-C { 2 18 43
CHANDIGARH 160036 { 3 16 41

Southern : C. I. T. Campus, MADRAS 600113 { 41 24 42
{ 41 25 19
{ 41 29 16

Branch Offices :

Pushpak, Nurmohamed Shaikh Marg, Khanpur, { 2 63 48
AHMADABAD 380001 { 2 63 49

'F' Block, Unity Bldg, Narasimharaja Square, 22 48 05
BANGALORE 560002

Gangotri Complex, 5th Floor, Bhadbhada Road, T. T. Nagar, 6 27 16
BHOPAL 462003

Plot No. 82/83, Lewis Road, BHUBANESHWAR 751002 5 36 27

53/5 Ward No. 29, R. G. Barua Road, —
5th Byelane, GUWAHATI 781003

5-8-56 L. N. Gupta Marg, (Nampally Station Road), 22 10 83
HYDERABAD 500001

R14 Yudhister Marg, C Scheme, JAIPUR 302005 { 6 34 71
{ 6 98 32

117/418B Sarvodaya Nagar, KANPUR 208005 { 21 68 76
{ 21 82 92

Patliputra Industrial Estate, PATNA 800013 6 23 05

Hantex Bldg (2nd Floor), Rly Station Road, 52 27
TRIVANDRUM 695001

Inspection Office (With Sale Point):

Institution of Engineers (India) Building, 1332 Shivaji Nagar, 5 24 35
PUNE 410005

*Sales Office in Bombay is at Novelty Chambers, Grant Road, 89 65 28
Bombay 400007

†Sales Office in Calcutta is at 5 Chowringhee Approach, P. O. Prinsep 27 68 00
Street, Calcutta 700072